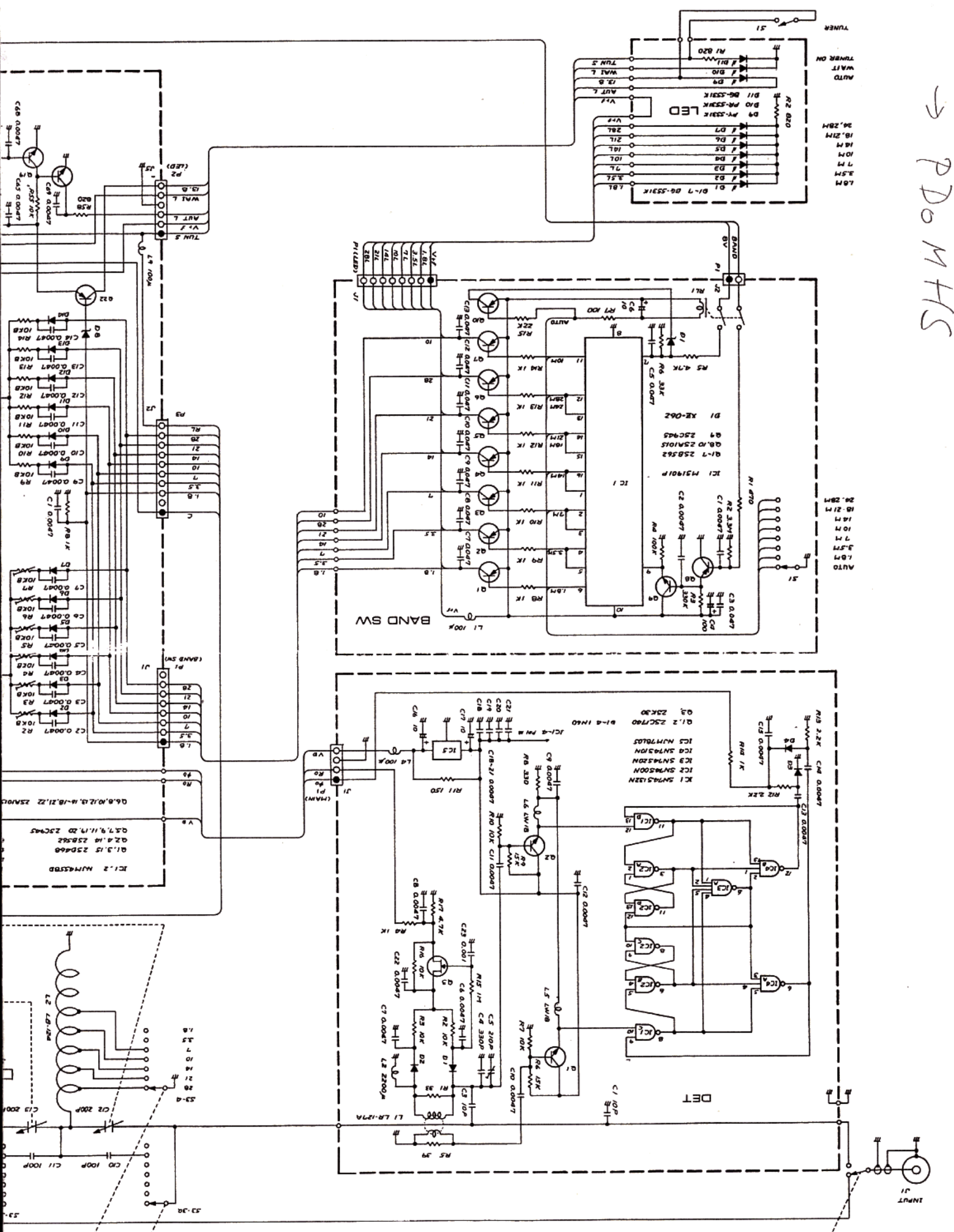


IC-AT100

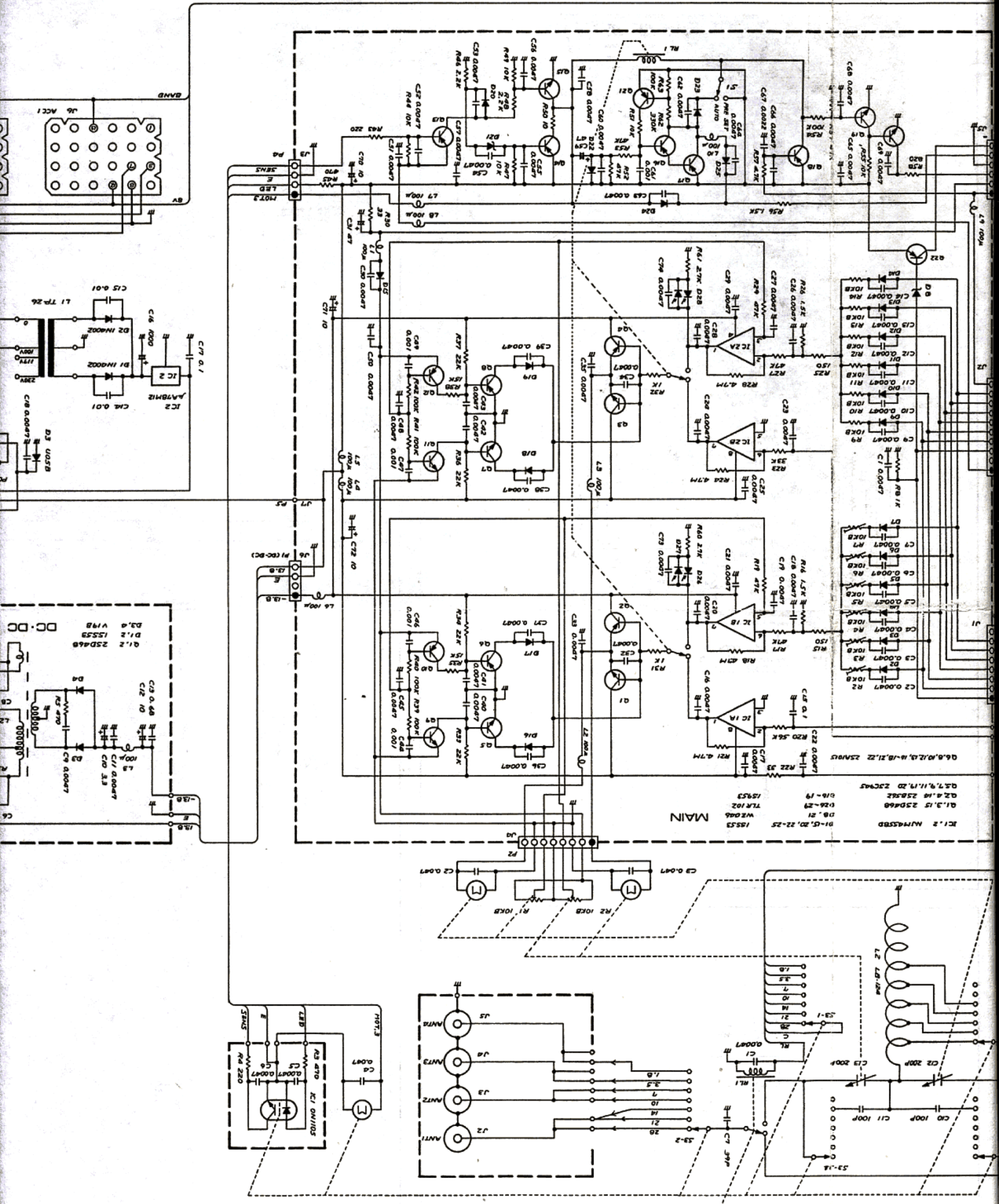
SCHMATIC DIAGRAM

SCHMATHEEK
 Beh. T. Hultermans
 Postbus 4228
 5604 FF Eindhoven



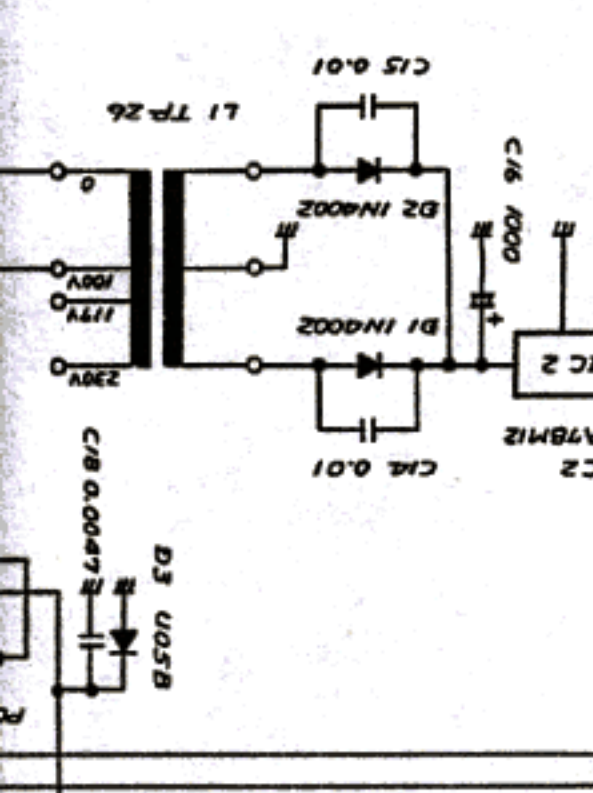
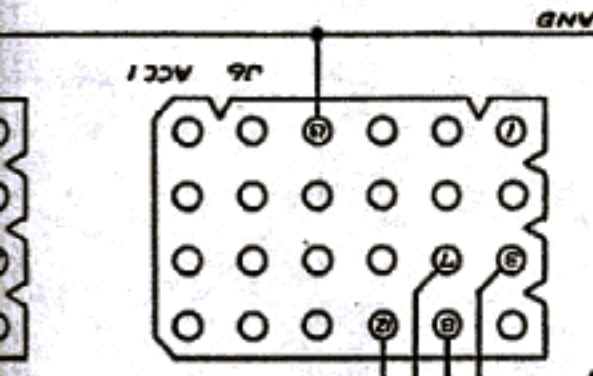
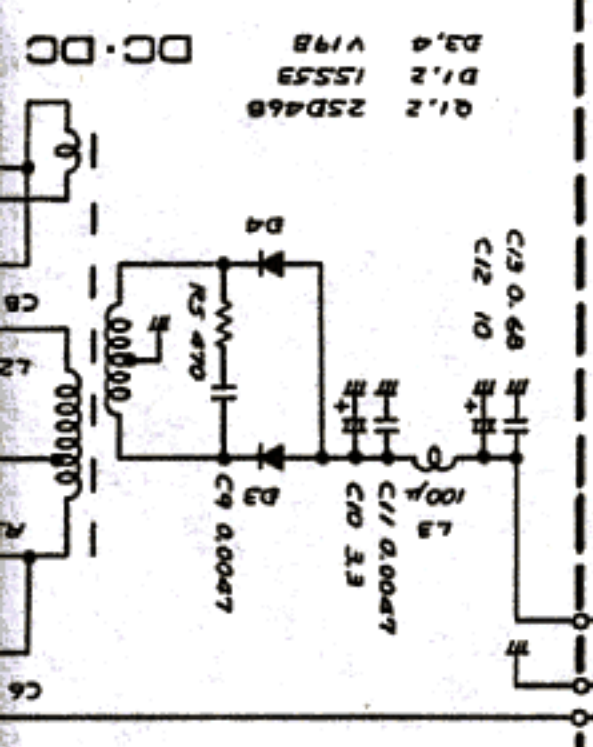
→ PD0MHS

Some components subject to change without notice

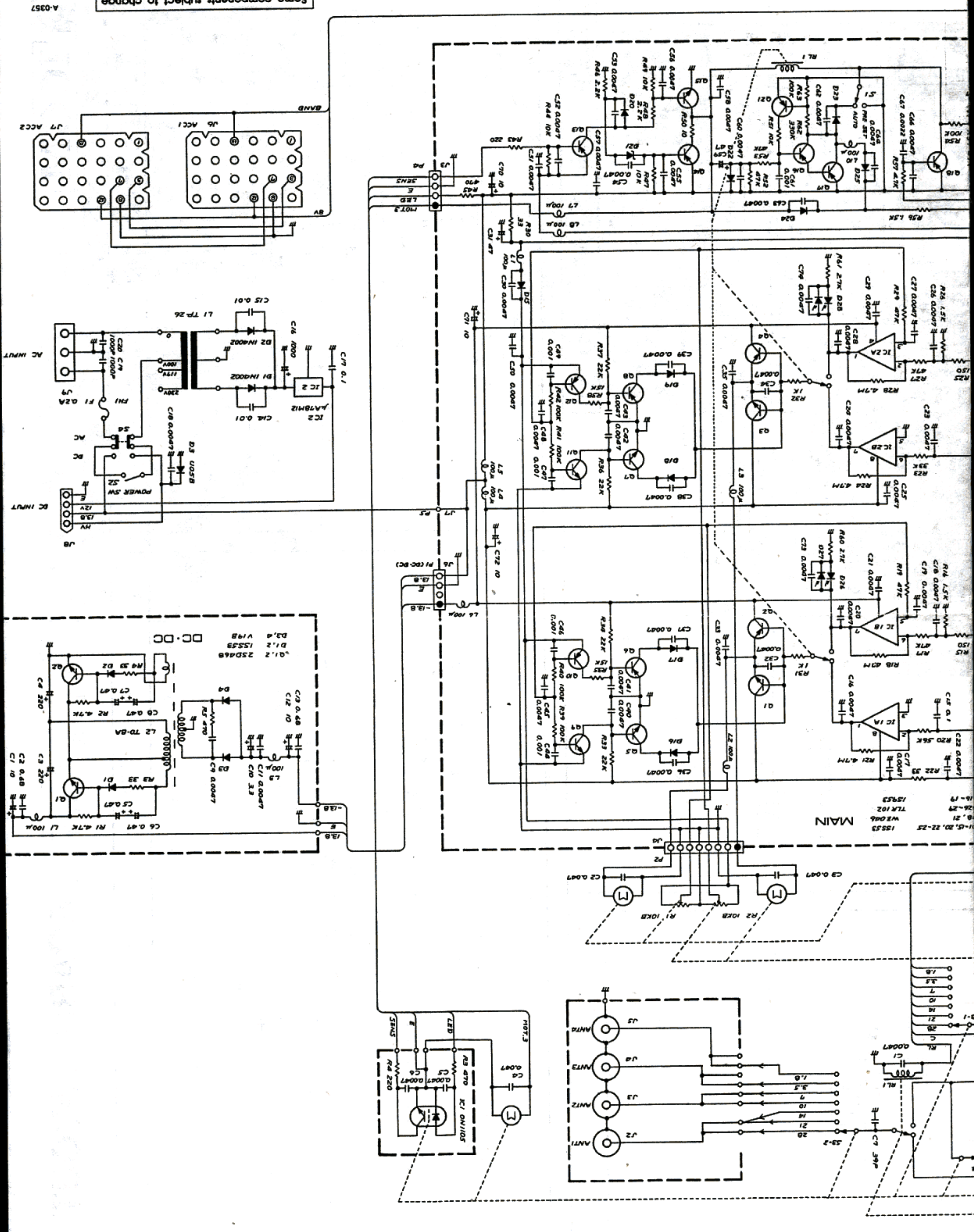


MAIN

- IC1, 2 NJM4558D 01-05, 20, 22-25 15553
- IC3, 15 2SD468 02A, 18 25B52
- Q2A, 18 25B52 018-19
- Q2B, 29 TLR102 15953
- W2046 08, 21
- 06.6, 10, 12.0, 18, 18, 22 25NB5 05, 7, 9, 11, 19, 20 25C945



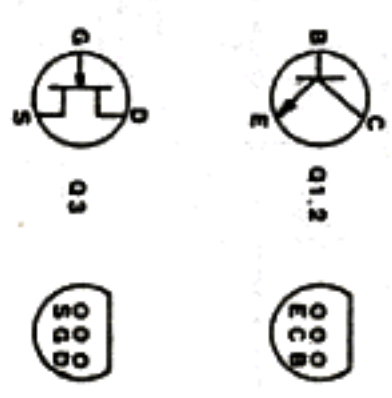
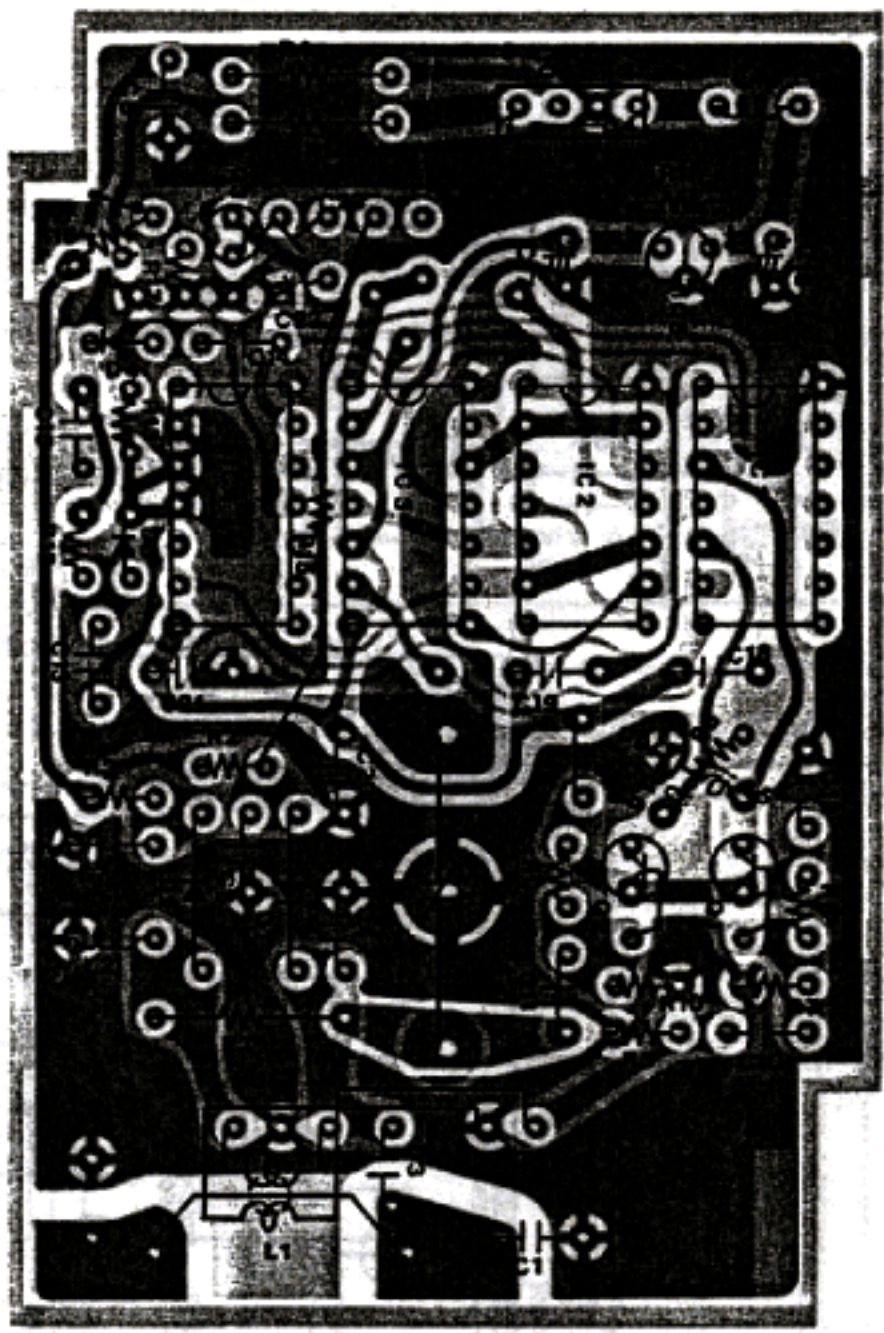
Some components subject to change for an improvement without notice.



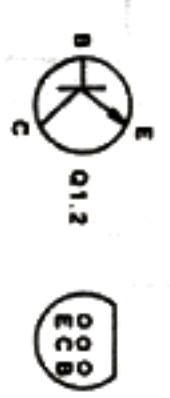
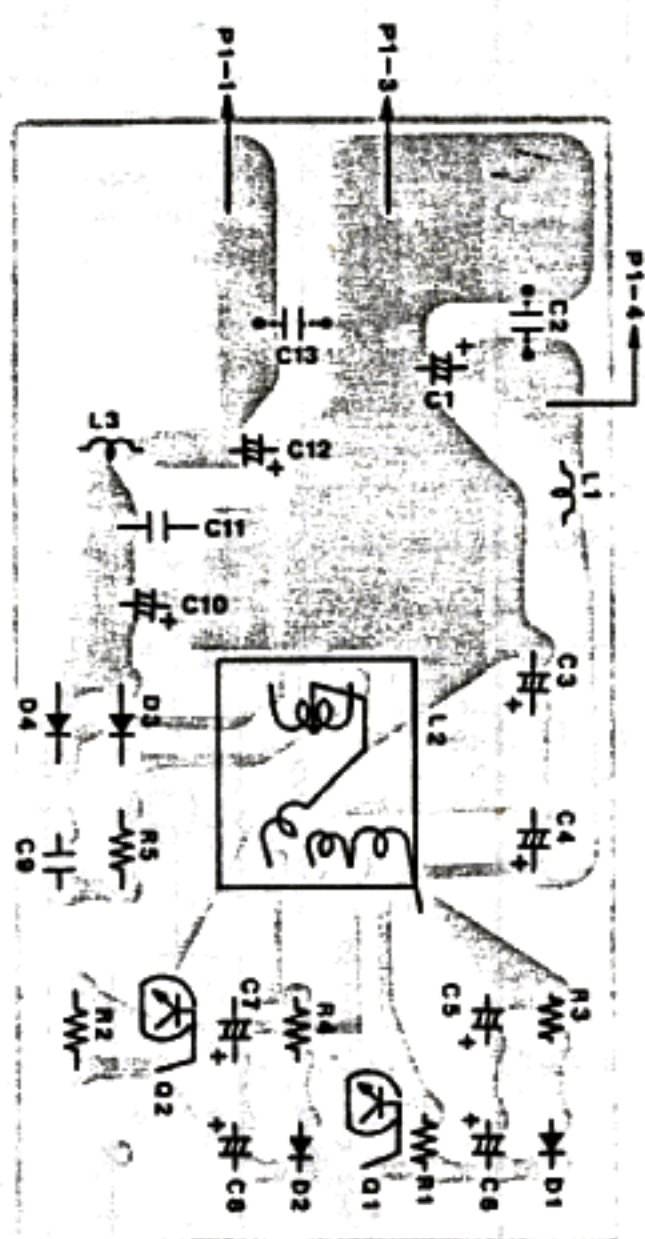


* AT500 ONLY

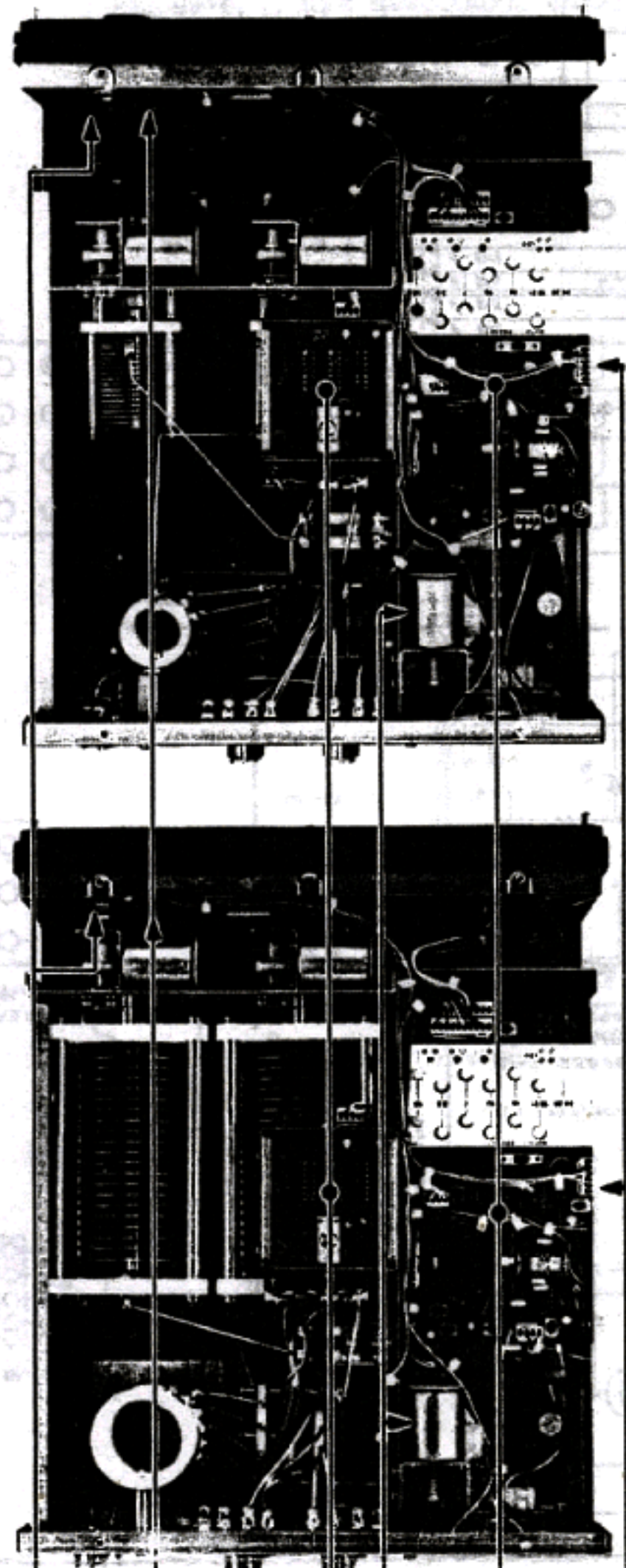
DET UNIT



DC-DC UNIT



UNIT LAYOUT



IC-AT100

IC-AT500

DC-DC UNIT

MAIN UNIT

SENSOR UNIT

DET UNIT

LED UNIT

BAND SWITCH UNIT

ICOM INCORPORATED

Some components subject to change for an improvement without notice.

Printed in Japan